

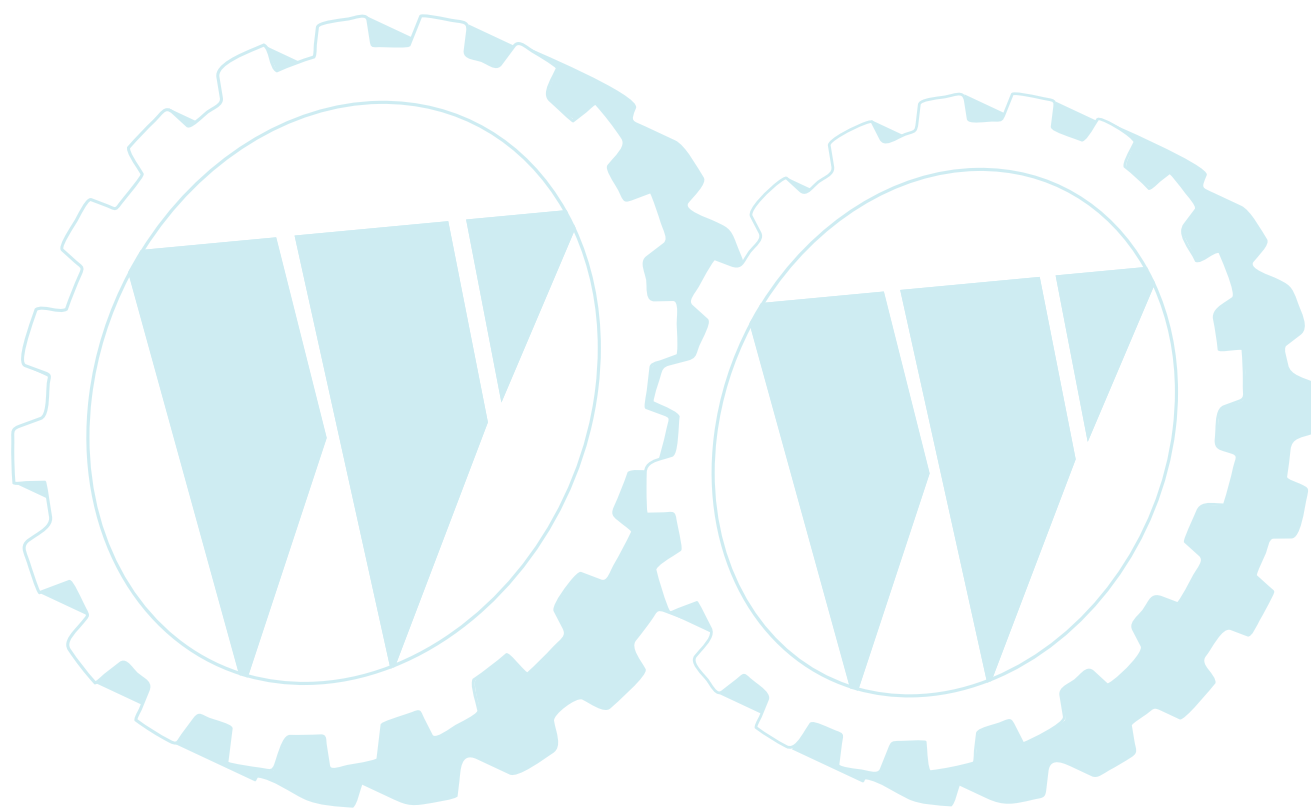
**ILLUSTRATED PARTS BREAKDOWN**

**POULAN**

**11.0 HP LAWN TRACTOR**

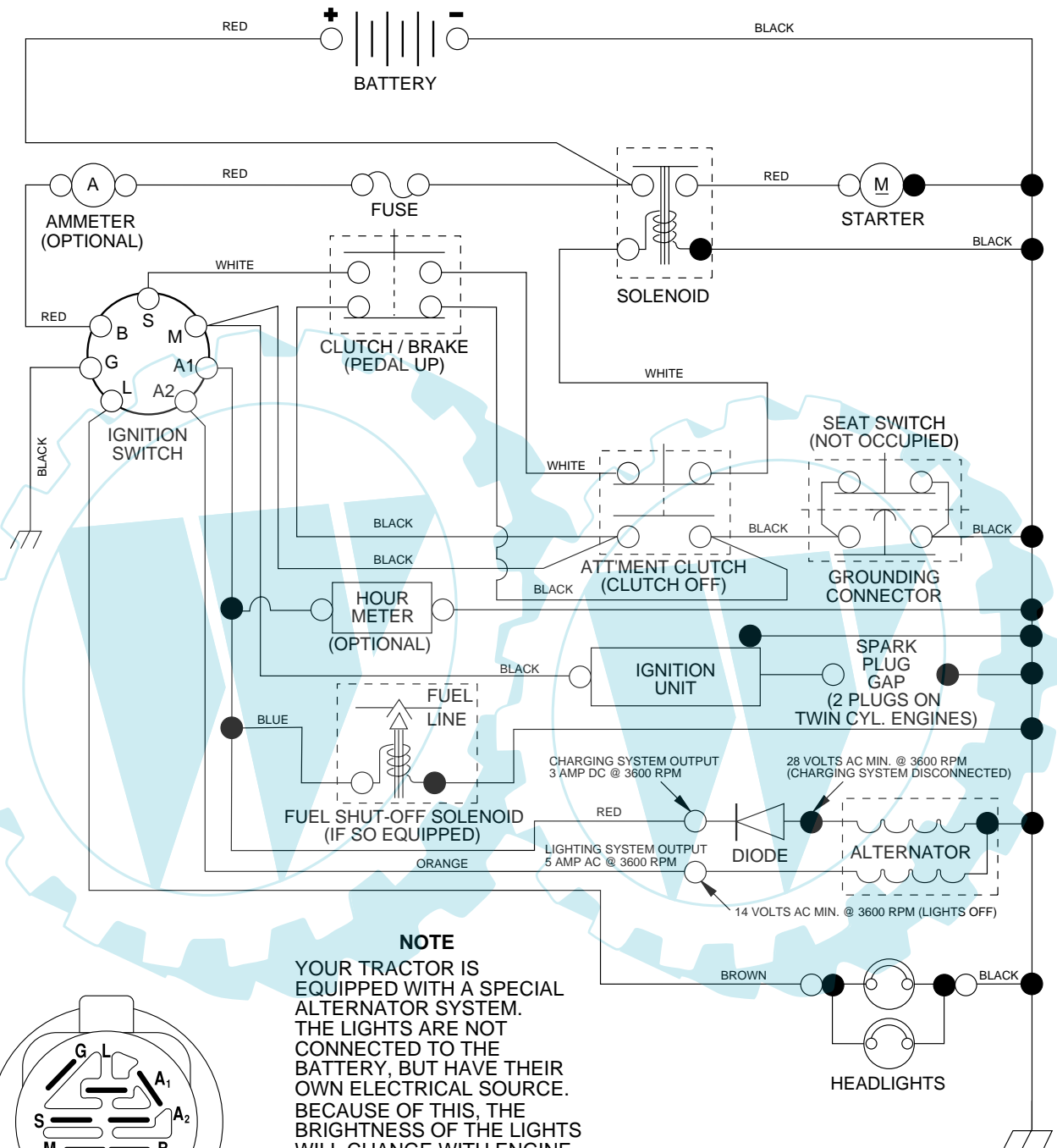
**MODEL NO. PO1192 (PO1192A)**

**964 77 47-01**



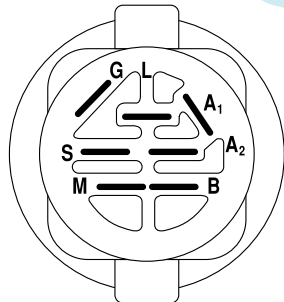
TRACTOR - - MODEL NUMBER PO1192A

SCHEMATIC



**NOTE**

YOUR TRACTOR IS EQUIPPED WITH A SPECIAL ALTERNATOR SYSTEM. THE LIGHTS ARE NOT CONNECTED TO THE BATTERY, BUT HAVE THEIR OWN ELECTRICAL SOURCE. BECAUSE OF THIS, THE BRIGHTNESS OF THE LIGHTS WILL CHANGE WITH ENGINE SPEED. AT IDLE THE LIGHTS WILL DIM. AS THE ENGINE IS SPEEDED UP, THE LIGHTS WILL BECOME THEIR BRIGHTEST.



**IGNITION SWITCH**

| POSITION  | CIRCUIT    | "MAKE" |
|-----------|------------|--------|
| OFF       | M+G+A1     | NONE   |
| RUN/LIGHT | B+A1       | A2+L   |
| RUN       | B+A1       | NONE   |
| START     | B + S + A1 | NONE   |

NON-REMOVABLE CONNECTIONS

REMOVABLE CONNECTIONS

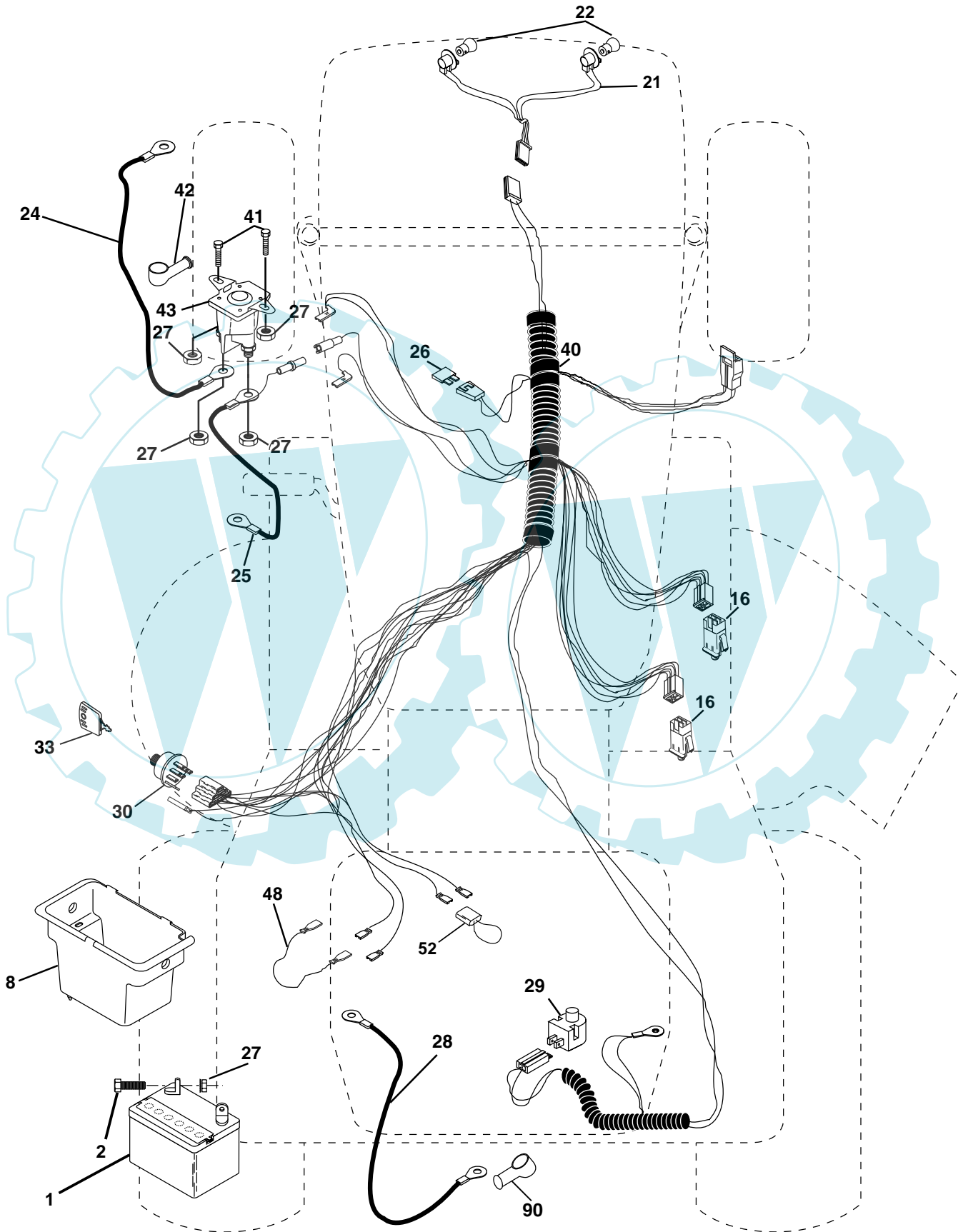
**WIRING INSULATED CLIPS**

**NOTE:** IF WIRING INSULATED CLIPS WERE REMOVED FOR SERVICING OF UNIT, THEY SHOULD BE REPLACED TO PROPERLY SECURE YOUR WIRING.

# REPAIR PARTS

## TRACTOR -- MODEL NUMBER PO1192A

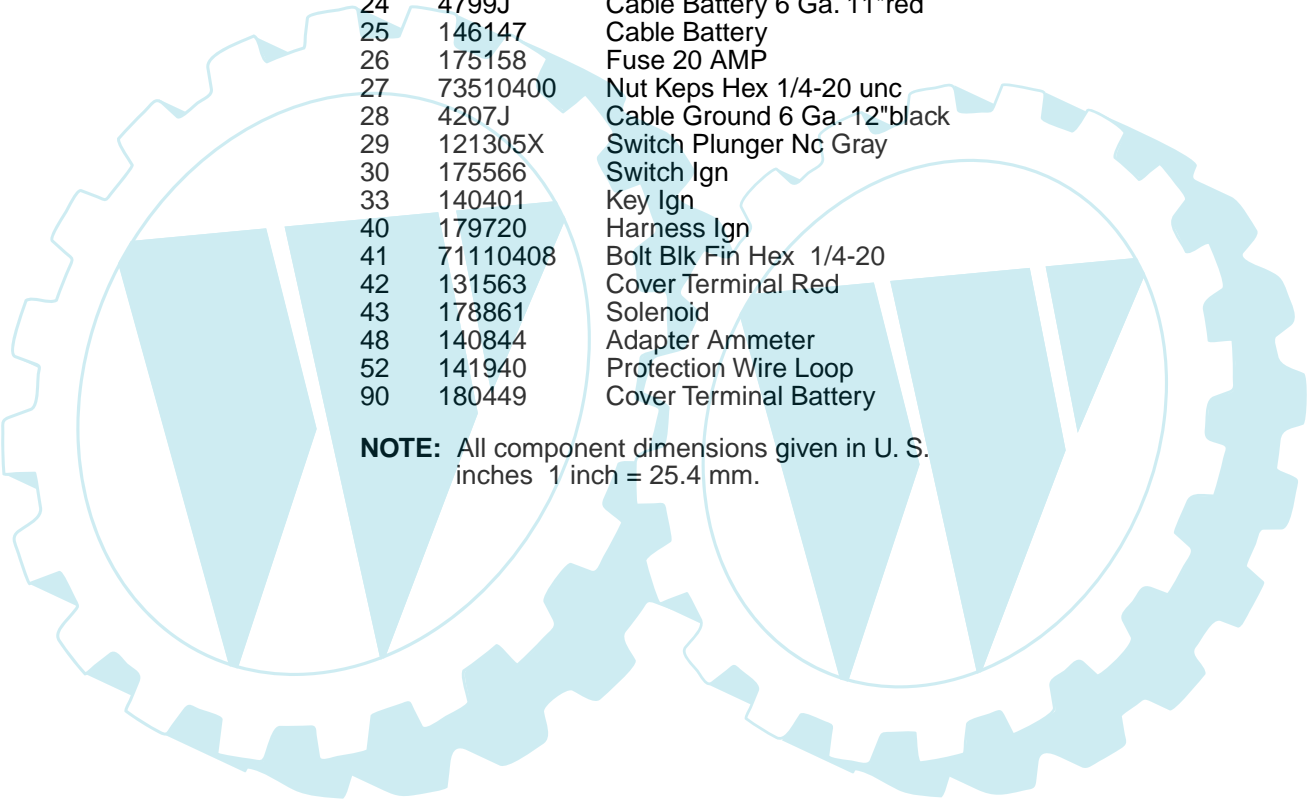
### ELECTRICAL



# REPAIR PARTS

## TRACTOR - - MODEL NUMBER PO1192A

### ELECTRICAL



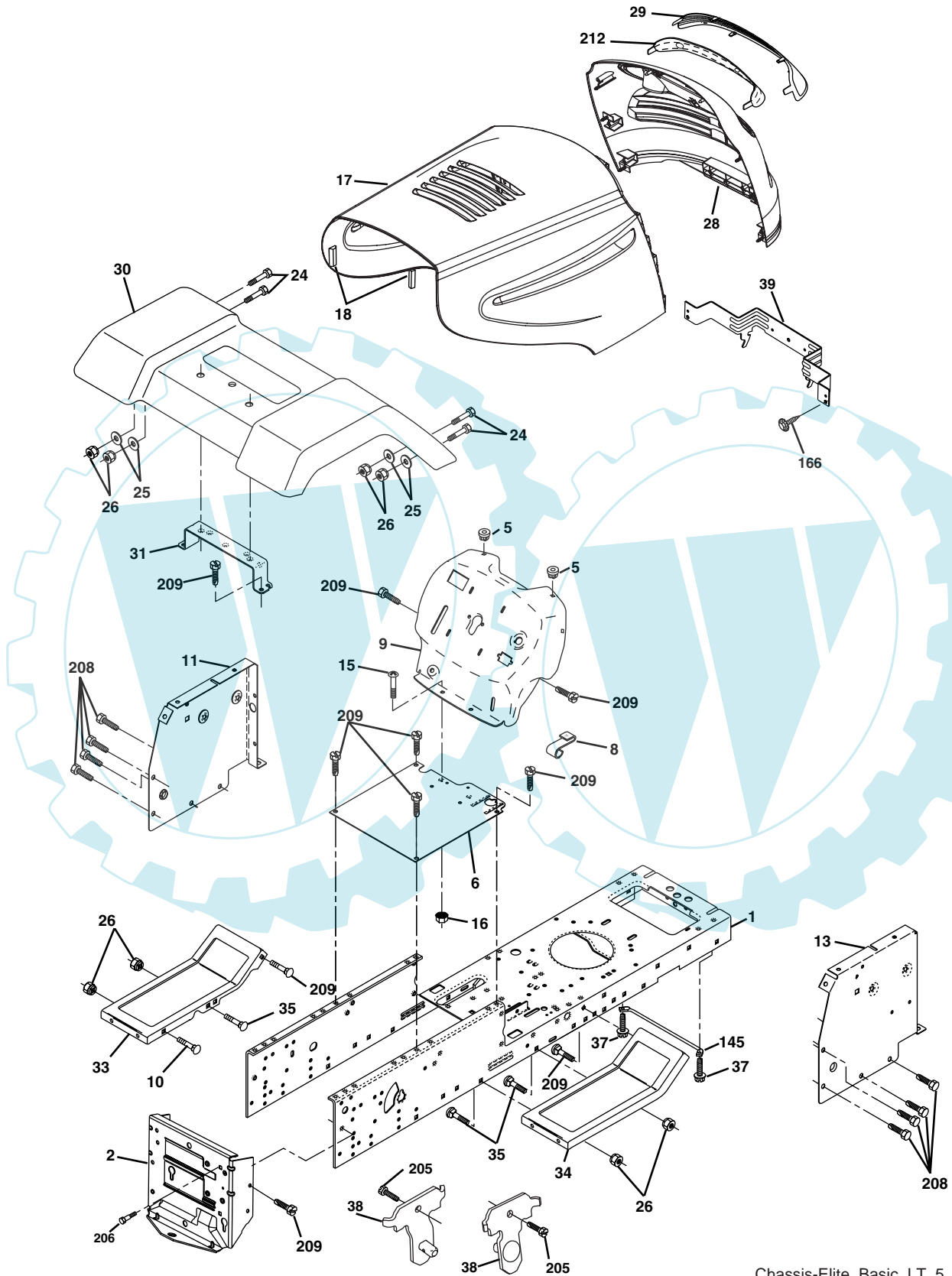
| KEY NO. | PART NO. | DESCRIPTION                  |
|---------|----------|------------------------------|
| 1       | 163465   | Battery                      |
| 2       | 74760412 | Bolt Hex Hd 1/4-20 unc x 3/4 |
| 8       | 176689   | Box Battery                  |
| 16      | 176138   | Switch Interlock             |
| 21      | 183759   | Harness Asm Light W/4152j    |
| 22      | 4152J    | Bulb Light #1156             |
| 24      | 4799J    | Cable Battery 6 Ga. 11"red   |
| 25      | 146147   | Cable Battery                |
| 26      | 175158   | Fuse 20 AMP                  |
| 27      | 73510400 | Nut Keps Hex 1/4-20 unc      |
| 28      | 4207J    | Cable Ground 6 Ga. 12"black  |
| 29      | 121305X  | Switch Plunger Nc Gray       |
| 30      | 175566   | Switch Ign                   |
| 33      | 140401   | Key Ign                      |
| 40      | 179720   | Harness Ign                  |
| 41      | 71110408 | Bolt Blk Fin Hex 1/4-20      |
| 42      | 131563   | Cover Terminal Red           |
| 43      | 178861   | Solenoid                     |
| 48      | 140844   | Adapter Ammeter              |
| 52      | 141940   | Protection Wire Loop         |
| 90      | 180449   | Cover Terminal Battery       |

**NOTE:** All component dimensions given in U. S. inches 1 inch = 25.4 mm.

# REPAIR PARTS

## TRACTOR - - MODEL NUMBER PO1192A

### CHASSIS



Chassis-Elite\_Basic\_LT\_5

# REPAIR PARTS

## TRACTOR - - MODEL NUMBER PO1192A

### CHASSIS

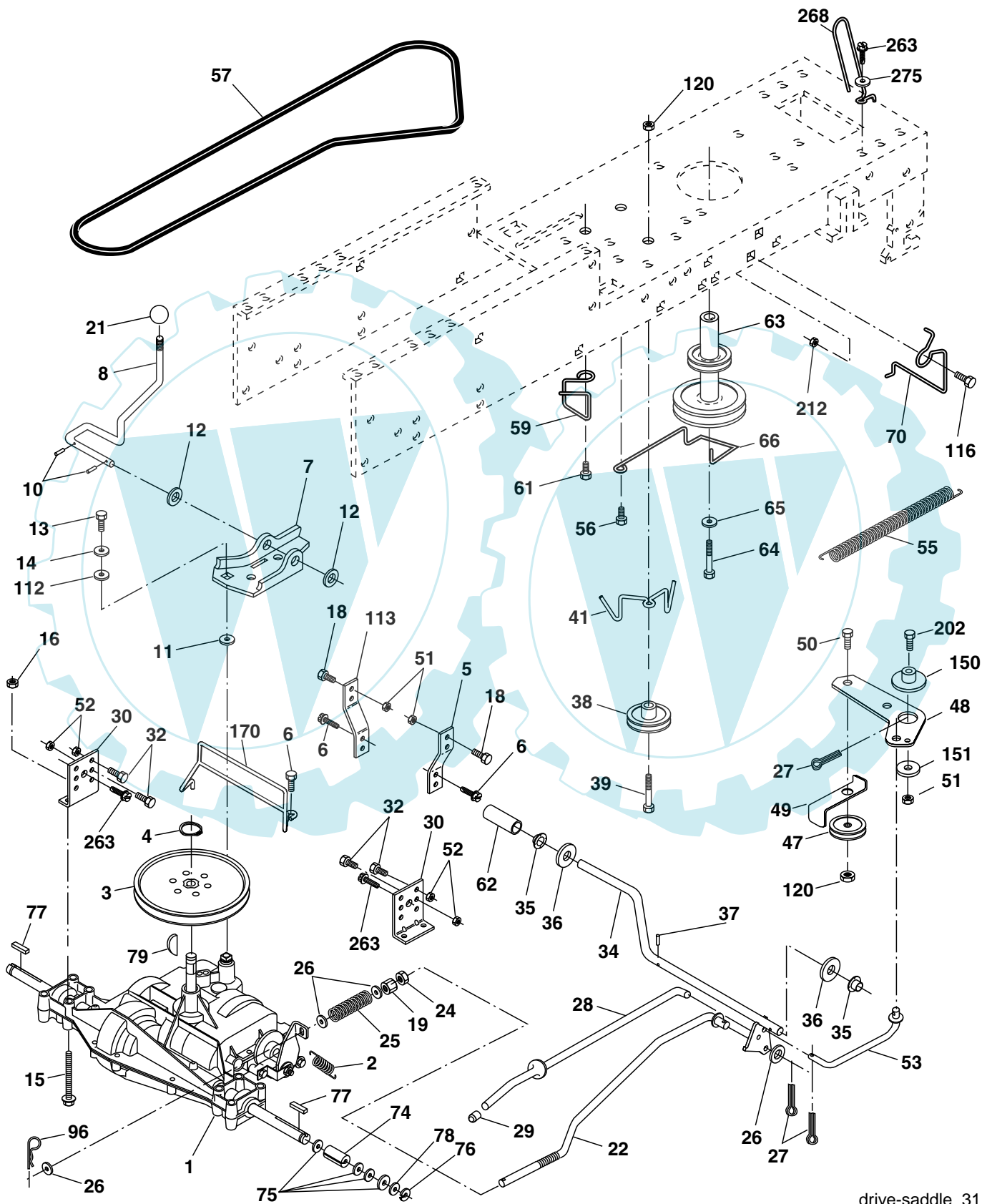
| KEY NO. | PART NO.   | DESCRIPTION                                     |
|---------|------------|---|
| 1       | 174620     | Chassis   |
| 2       | 176554     | Drawbar, Stretch                                |
| 5       | 155272     | Bumper, Hood/Dash                               |
| 6       | 174643     | Saddle  |
| 8       | 155138     | Clip Retainer Slide-On                          |
| 9       | 168347X015 | Dash  |
| 10      | 72140608   | Bolt, Carriage 3/8-16 x 1                       |
| 11      | 174996     | Panel Dash LH                                   |
| 13      | 179174X010 | Panel Silkscr Dash RH                           |
| 15      | 74180512   | Screw Mach TRHD 5/16-18 unc x 3/4               |
| 16      | 73510500   | Nut Keps 5/16-18 unc                            |
| 17      | 183394X428 | Hood  |
| 18      | 126938X    | Bumper Hood                                     |
| 24      | 74780616   | Bolt Fin Hex 3/8-16 unc x 1 Gr. 5               |
| 25      | 19131312   | Washer 13/32 x 13/16 x 12 Ga.                   |
| 26      | 73800600   | Nut Lock Hex w/Ins 3/8-16 unc                   |
| 28      | 183552     | Grille/Lens Asm. (Includes key nos. 29 and 212) |
| 29      | 183549X599 | Lens Grille Basic Bar                           |
| 30      | 169465X428 | Fender  |
| 31      | 136619     | Bracket Fender Repl 109873X                     |
| 33      | 179716X428 | Footrest Pnt LH                                 |
| 34      | 179717X428 | Footrest Pnt RH                                 |
| 35      | 72110606   | Bolt Rdhd Sht Sqnk 3/8-16 x 3/4                 |
| 37      | 17490508   | Screw Thdrol 5/16-18 x 1/2 TYT                  |
| 38      | 175710     | Bracket Asm. Pivot Mower                        |
| 39      | 174714     | Bracket Pivot                                   |
| 145     | 156524     | Rod Pivot Chassis/Hood                          |
| 166     | 171875     | Screw Hwhd Hi-Lo #13-16 x 5/8                   |
| 205     | 17490608   | Screw Thdrol 3/8-16 x 1/2                       |
| 206     | 170165     | Bolt Shoulder 5/16-18                           |
| 208     | 17670608   | Screw Thdrol 3/8-16 x 1/2                       |
| 209     | 17000612   | Screw Hex Wsh Thdrol 3/8-16                     |
| 212     | 183550     | Insert Lens Reflect                             |
| ---     | 5479J      | Plug Button Blk 359 Dia Choke                   |

**NOTE:** All component dimensions given in U.S. inches  
1 inch = 25.4 mm.

# REPAIR PARTS

## TRACTOR -- MODEL NUMBER PO1192A

### DRIVE



drive-saddle\_31

# REPAIR PARTS

## TRACTOR - - MODEL NUMBER PO1192A

### DRIVE

| KEY NO. | PART NO. | DESCRIPTION   | KEY NO. | PART NO. | DESCRIPTION                       |
|---------|----------|---|---------|----------|-----------------------------------|
| 1       | -----    | Transaxle Peerless Model 204-506B (Order parts from transaxle manufacturer) | 49      | 123205X  | Retainer Belt Style Spring        |
| 2       | 146682   | Spring Return Brake   | 50      | 72110612 | Bolt Carr Sh 3/8-16 x 1-1/2 Gr. 5 |
| 3       | 123666X  | Pulley Transaxle 18"tires   | 51      | 73680600 | Nut Crownlock 3/8-16 unc          |
| 4       | 12000028 | Ring Retainer # 5100-62   | 52      | 73680500 | Nut Crownlock 5/16-18 unc         |
| 5       | 121520X  | Strap Torque 30 Degrees RH  | 53      | 105710X  | Link Clutch 7 66                  |
| 6       | 17000512 | Screw 5/16-18 x 3/4   | 55      | 105709X  | Spring Return Clutch 6 75         |
| 7       | 162240   | Plate Rod Shift T/a   | 56      | 17060620 | Screw 3/8-16 x 1-1/4              |
| 8       | 131679   | Rod Shifter Blk   | 57      | 130801   | V-Belt Ground Drive 95            |
| 10      | 76020416 | Pin Cotter 1/8 x 1 Cad  | 59      | 169691   | Keeper Belt Chassis Span Ctr      |
| 11      | 105701X  | Washer Plate Shf 388 Sq Hole  | 61      | 17120614 | Screw 3/8-16 x .875               |
| 12      | 19151216 | Washer 15/32 x 3/4 x 16 Ga.   | 62      | 8883R    | Cover Pedal Blk Round             |
| 13      | 74550412 | Bolt 1/4-28 unf Gr. 8 w/Patch   | 63      | 180219   | Engine Pulley                     |
| 14      | 10040400 | Washer Lock Hvy Helical 1/4   | 64      | 173937   | Bolt Hex 7/16-20 x 4 Gr. 5        |
| 15      | 74490544 | Bolt Hex Flghd 5/16-18 Gr. 5  | 65      | 10040700 | Washer Lock Hvy Hlcl Spr 7/16     |
| 16      | 73800500 | Nut 5/16-18   | 66      | 154778   | Keeper Belt Engine                |
| 18      | 74780616 | Bolt Fin Hex 3/8-16 unc x 1 Gr. 5   | 70      | 180218   | Guide Belt Mower Drive RH         |
| 19      | 73800600 | Nut lock Hex w/Ins 3/8-16 Unc   | 74      | 137057   | Spacer Axle                       |
| 21      | 106933X  | Knob Rd 1/2-13 Plstc Thds Blk   | 75      | 121749X  | Washer 25/32 x 1 1/4 x 16 Ga.     |
| 22      | 130804   | Rod Brake LT  | 76      | 12000001 | E-ring #5133-75                   |
| 24      | 73350600 | Nut Hex Jam 3/8-16 unc  | 77      | 123583X  | Key Square 2 0 x 1845/ 1865       |
| 25      | 106888X  | Spring Rod Brake 2 00 Zinc  | 78      | 121748X  | Washer 25/32 x 1-5/8 x 16 Ga.     |
| 26      | 19131316 | Washer 13/32 x 13/16 x 16 Ga.   | 79      | 2228M    | Key Woodruff                      |
| 27      | 76020412 | Pin Cotter 1/8 x 3/4 Cad  | 96      | 4497H    | Retainer Spring 1"                |
| 28      | 175765   | Rod Brake Parking LT/YT   | 112     | 19091210 | Washer 9/32 x 3/4 x 10 Ga.        |
| 29      | 71673    | Cap Brake Parking Black   | 113     | 127285X  | Strap Torque 90 Degrees LH        |
| 30      | 174973   | Bracket Transmission  | 116     | 72140608 | Bolt Rdhd Sq Neck 3/8-16 x 1      |
| 32      | 74760512 | Bolt Fin Hex 5/16-18 x 3/4  | 120     | 73900600 | Nut Lock Flg 3/8-16               |
| 34      | 175578   | Shaft Asm Pedal Foot Nibbed   | 150     | 175456   | Spacer Retainer Lt                |
| 35      | 120183X  | Bearing Nylon Blk 629 Id  | 151     | 19133210 | Washer 13/32 x 2 x 10 Ga.         |
| 36      | 19211616 | Washer 21/32 x 1 x 16 Ga.   | 170     | 187414   | Keeper, Belt Transaxle            |
| 37      | 1572H    | Pin Roll 3/16 x 1"  | 202     | 72110614 | Bolt Carr Sh 3/8-16 x 1-3/4 Gr. 5 |
| 38      | 179114   | Pulley Composite Flat   | 212     | 145212   | Nut Hex Flg Lock                  |
| 39      | 72110622 | Bolt 3/8-16 x 2-3/4   | 263     | 17000612 | Screw 3/8-16 x 3/4                |
| 41      | 175556   | Keeper Belt Idler   | 268     | 182402   | Guard Muffler RH                  |
| 47      | 127783   | Pulley Idler V Groove Plastic   | 275     | 19131614 | Washer 13/32 x 1 x 14 Ga.         |
| 48      | 154407   | Bellcrank Clutch Grnd Drv STL   |         |          |                                   |

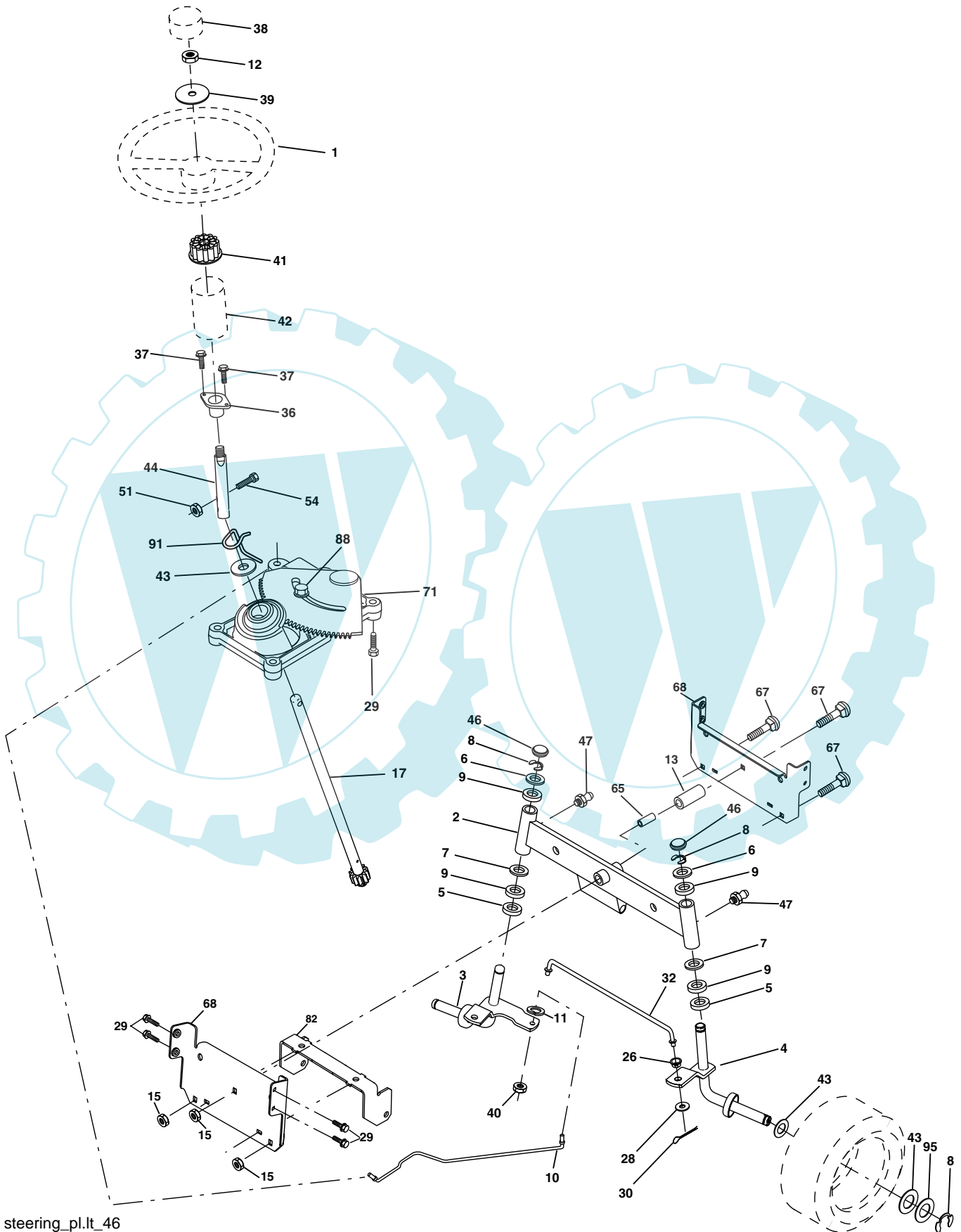
**NOTE:** All component dimensions given in U.S. inches  
1 inch = 25.4 mm



# REPAIR PARTS

## TRACTOR - - MODEL NUMBER PO1192A

### STEERING

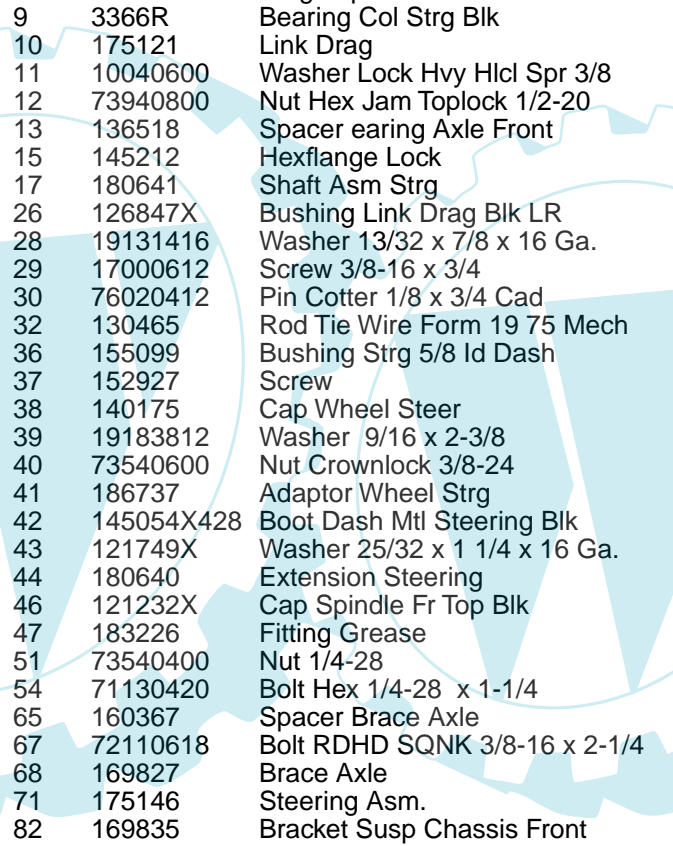


steering\_pl.lt\_46

# REPAIR PARTS

## TRACTOR - - MODEL NUMBER PO1192A

### STEERING



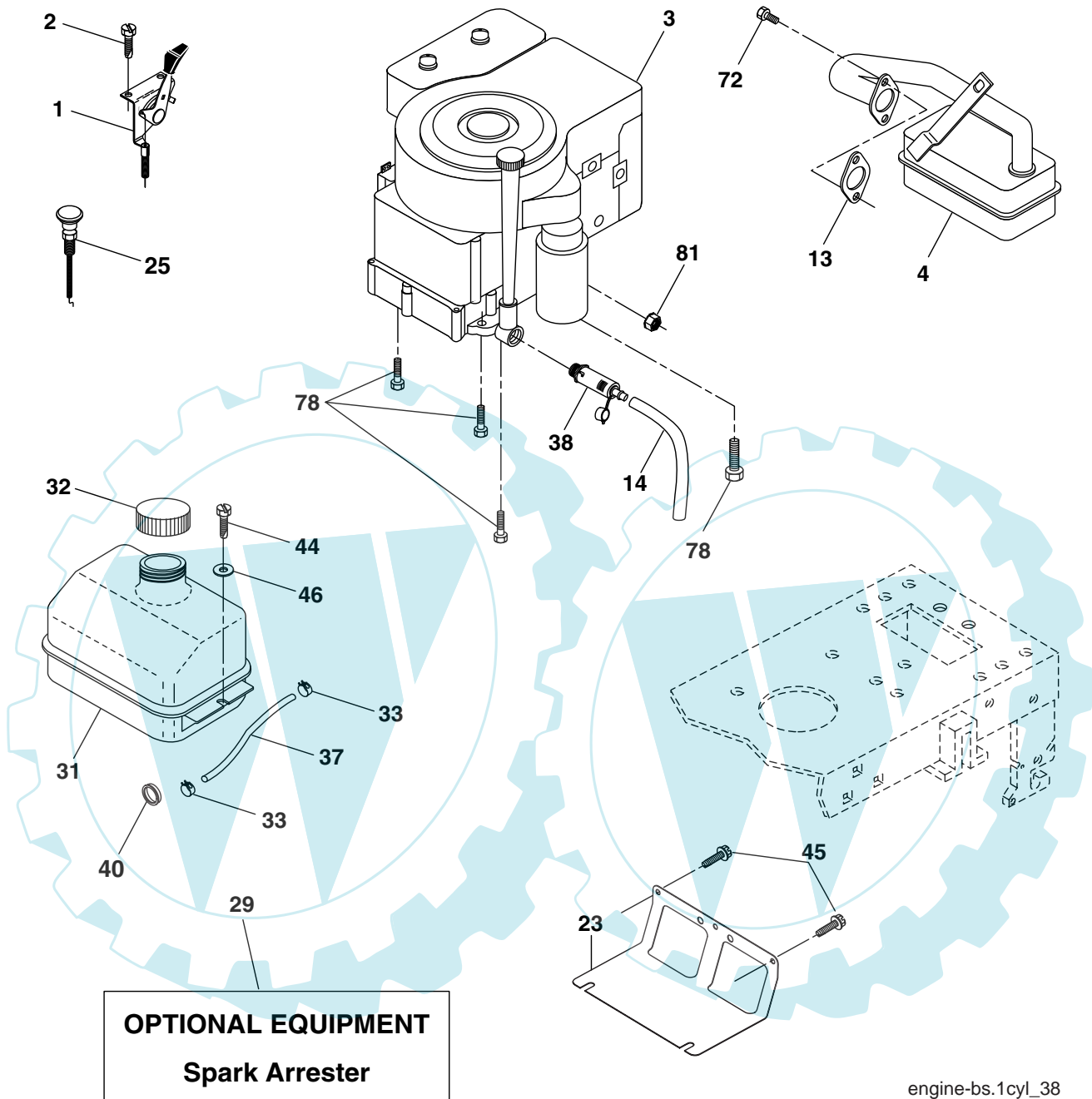
| KEY NO. | PART NO.   | DESCRIPTION                      |
|---------|------------|----------------------------------|
| 1       | 139768     | Wheel Steering                   |
| 2       | 175131     | Axle Asm                         |
| 3       | 169840     | Spindle Asm LH                   |
| 4       | 169839     | Spindle Asm RH                   |
| 5       | 6266H      | Bearing Race Thrust Harden       |
| 6       | 121748X    | Washer 25/32 x 1-5/8 x 16 Ga.    |
| 7       | 19272016   | Washer 27/32 x 1-1/4 x 16 Ga.    |
| 8       | 12000029   | Ring Klip #t5304-75              |
| 9       | 3366R      | Bearing Col Strg Blk             |
| 10      | 175121     | Link Drag                        |
| 11      | 10040600   | Washer Lock Hvy Hlcl Spr 3/8     |
| 12      | 73940800   | Nut Hex Jam Toplock 1/2-20       |
| 13      | 136518     | Spacer earing Axle Front         |
| 15      | 145212     | Hexflange Lock                   |
| 17      | 180641     | Shaft Asm Strg                   |
| 26      | 126847X    | Bushing Link Drag Blk LR         |
| 28      | 19131416   | Washer 13/32 x 7/8 x 16 Ga.      |
| 29      | 17000612   | Screw 3/8-16 x 3/4               |
| 30      | 76020412   | Pin Cotter 1/8 x 3/4 Cad         |
| 32      | 130465     | Rod Tie Wire Form 19 75 Mech     |
| 36      | 155099     | Bushing Strg 5/8 Id Dash         |
| 37      | 152927     | Screw                            |
| 38      | 140175     | Cap Wheel Steer                  |
| 39      | 19183812   | Washer 9/16 x 2-3/8              |
| 40      | 73540600   | Nut Crownlock 3/8-24             |
| 41      | 186737     | Adaptor Wheel Strg               |
| 42      | 145054X428 | Boot Dash Mtl Steering Blk       |
| 43      | 121749X    | Washer 25/32 x 1 1/4 x 16 Ga.    |
| 44      | 180640     | Extension Steering               |
| 46      | 121232X    | Cap Spindle Fr Top Blk           |
| 47      | 183226     | Fitting Grease                   |
| 51      | 73540400   | Nut 1/4-28                       |
| 54      | 71130420   | Bolt Hex 1/4-28 x 1-1/4          |
| 65      | 160367     | Spacer Brace Axle                |
| 67      | 72110618   | Bolt RDHD SQNK 3/8-16 x 2-1/4    |
| 68      | 169827     | Brace Axle                       |
| 71      | 175146     | Steering Asm.                    |
| 82      | 169835     | Bracket Susp Chassis Front       |
| 88      | 175118     | Bolt Shoulder 7/16-20            |
| 91      | 175553     | Clip Steering                    |
| 95      | 188967     | Washer Harden .793 x 1.637 x 060 |

**NOTE:** All component dimensions given in U.S. inches  
1 inch = 25.4 mm.

# REPAIR PARTS

## TRACTOR - - MODEL NUMBER PO1192A

### ENGINE



engine-bs.1cyl\_38

| KEY NO. | PART NO. | DESCRIPTION  |
|---------|----------|--|
| 1       | 170551   | Control Throttle   |
| 2       | 17720408 | Screw Hex Thd Cut 1/4-20 x 1/2                               |
| 3       | -----    | Engine, B&S 28A807<br>(Order parts from engine manufacturer) |
| 4       | 179758   | Muffler Exhaust B&S  |
| 13      | 165291   | Gasket Eng 1 313 Id Tin Plated                               |
| 14      | 148456   | Tube Drain Oil Easy  |
| 23      | 169837   | Shield BRN/DBR Guard   |
| 25      | 180945   | Control Choke  |
| 29      | 137180   | Kit Spark Arrestor (Flat Scrn)                               |
| 31      | 184900   | Tank Fuel Front  |
| 32      | 140527   | Cap Asm Fuel   |

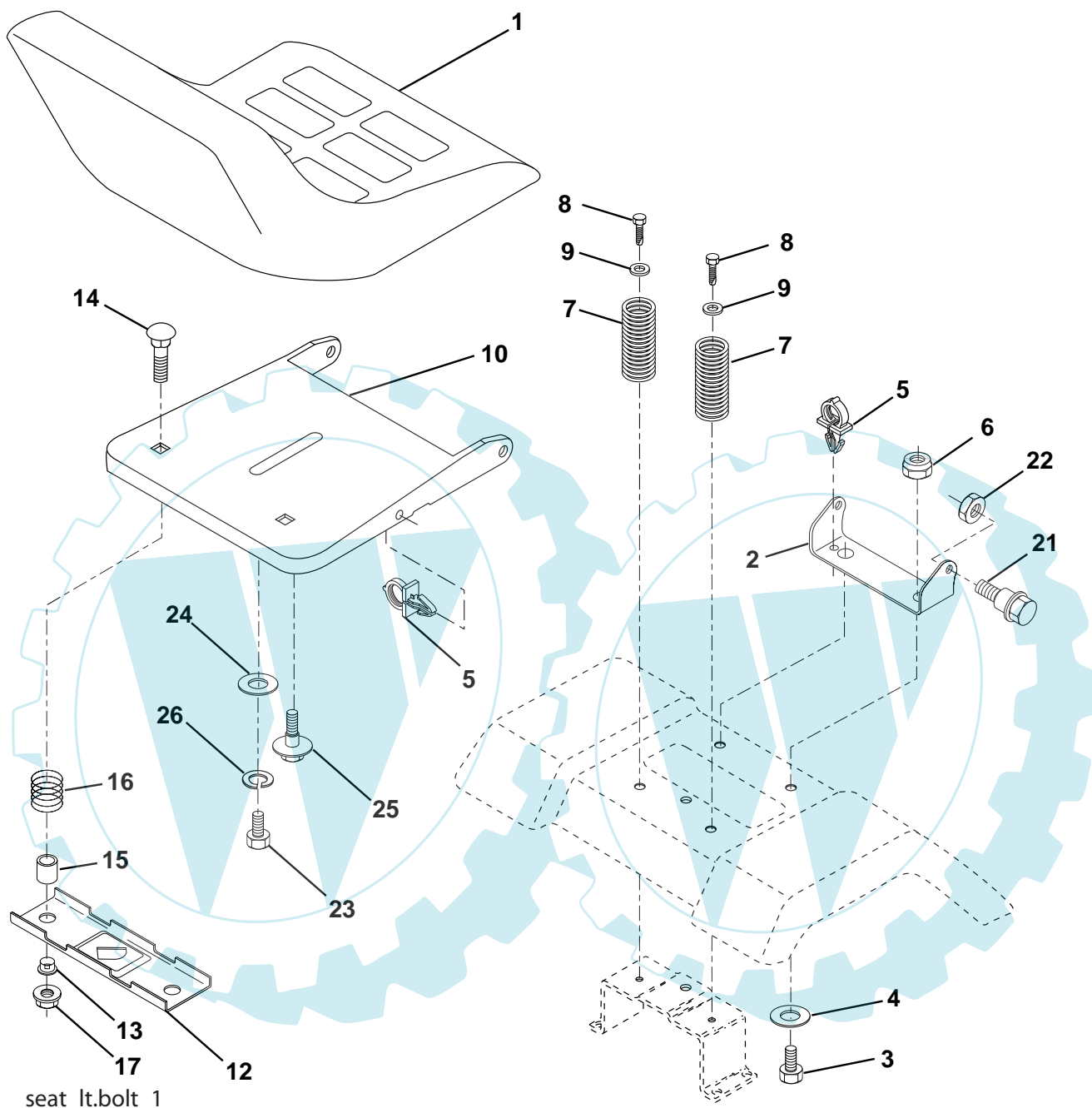
| KEY NO. | PART NO. | DESCRIPTION                    |
|---------|----------|--------------------------------|
| 33      | 123487X  | Clamp Hose                     |
| 37      | 137040   | Line Fuel 20"                  |
| 38      | 181654   | Plug Drain Oil                 |
| 40      | 124028X  | Bushing Snap Nyl Blk Fuel Line |
| 44      | 17670412 | Screw Thdrol 1/4-20 x 3/4      |
| 45      | 17000612 | Screw Hex Wsh Thdrol 3/8-16    |
| 46      | 19091416 | Washer 9/32 x 7/8 x 16 Ga.     |
| 72      | 183906   | Screw Socket Head 5/16-18 x 1  |
| 78      | 17060620 | Screw 3/8-16 x 1-1/4           |
| 81      | 73510400 | Nut Keps Hex 1/4-20 unc        |

**NOTE:** All component dimensions given in U.S. inches  
1 inch = 25.4 mm

# REPAIR PARTS

## TRACTOR -- MODEL NUMBER PO1192A

### SEAT



seat\_lt.bolt\_1

| KEY NO. | PART NO. | DESCRIPTION                    |
|---------|----------|--------------------------------|
| 1       | 175389   | Seat                           |
| 2       | 140551   | Bracket Seat Pivot             |
| 3       | 71110616 | Bolt Hex 3/8 - 16 x 1          |
| 4       | 19131610 | Washer 13/32 x 1 x 10 Ga.      |
| 5       | 145006   | Clip Push-In Hinged            |
| 6       | 73800600 | Nut Lock Hex w/Ins 3/8 - 16    |
| 7       | 124181X  | Spring Seat Cprsn 2 250 Blk Zi |
| 8       | 17000616 | Screw 3/8-16 x 1.5             |
| 9       | 19131614 | Washer 13/32 x 1 x 14 Ga.      |
| 10      | 182493   | Pan Pnt Seat (Blk)             |
| 12      | 121246X  | Bracket Pnt Mounting Switch    |
| 13      | 121248X  | Bushing Snap Blk Nyl           |

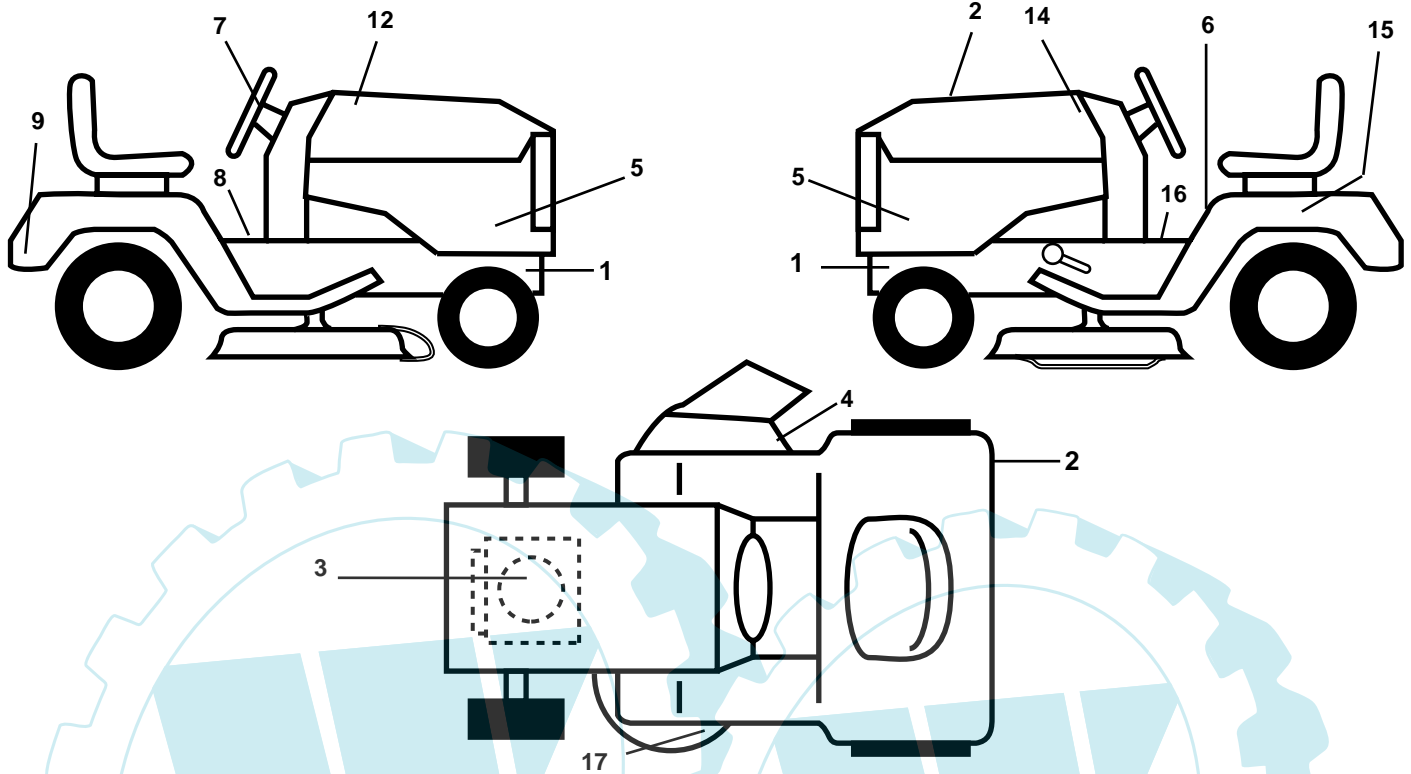
| KEY NO. | PART NO. | DESCRIPTION                        |
|---------|----------|------------------------------------|
| 14      | 72050412 | Bolt Rdhd Sht Nk 1/4 - 20 x 1 -1/2 |
| 15      | 134300   | Spacer Split .28 x .96             |
| 16      | 121250X  | Spring Cprsn                       |
| 17      | 123976X  | Nut Lock 1/4 Lge Flg               |
| 21      | 171852   | Bolt Shoulder 5/16-18 unc-2A       |
| 22      | 73800500 | Nut Lock Hex w/Ins 5/16 - 18       |
| 23      | 71110814 | Bolt Hex                           |
| 24      | 19171912 | Washer 17/32 x 1-3/16 x 12 Ga.     |
| 25      | 127018X  | Bolt Shoulder 5/16-18 x .62        |
| 26      | 10040800 | Washer Lock Hvy Hlcl Spr 1/2       |

**NOTE:** All component dimensions given in U.S. inches  
1 inch = 25.4 mm.

# REPAIR PARTS

## TRACTOR -- MODEL NUMBER PO1192A

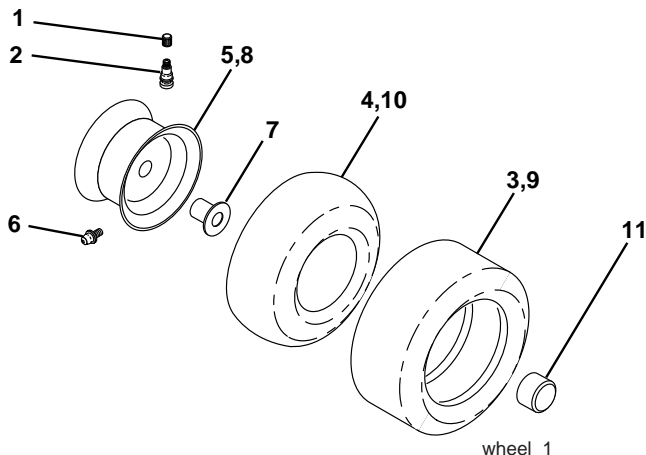
### DECALS



| KEY NO. | PART NO. | DESCRIPTION                 |
|---------|----------|-----------------------------|
| 1       | 159736   | Decal, Chassis Hot Muffler  |
| 2       | 180432   | Decal, Fender DB/CE         |
| 3       | 184764   | Decal, Engine HP            |
| 4       | 182166   | Decal, Cutfinger            |
| 5       | 189704   | Decal, SDPNL                |
| 6       | 159737   | Decal, Brake/Clutch Symbol  |
| 7       | 189705   | Decal, Ins Str Wh           |
| 8       | 140737   | Decal, Brake Parking Saddle |
| 9       | 158166   | Decal, Fender               |

| KEY NO. | PART NO. | DESCRIPTION                   |
|---------|----------|-------------------------------|
| 12      | 188977   | Decal, Hood RH                |
| 14      | 188978   | Decal, Hood LH                |
| 15      | 145005   | Decal, Caution, Battery       |
| 16      | 145498   | Decal, Read Owner's Manual    |
| 17      | 136832   | Decal, V-Belt Sch.            |
| --      | 162598   | Decal, Load Limit             |
| --      | 138311   | Decal, Handle Lft Height Adj. |
| --      | 185149   | Manual, Operator's (Euro)     |
| --      | 185238   | Manual, Operator's (Scand)    |

### WHEELS & TIRES



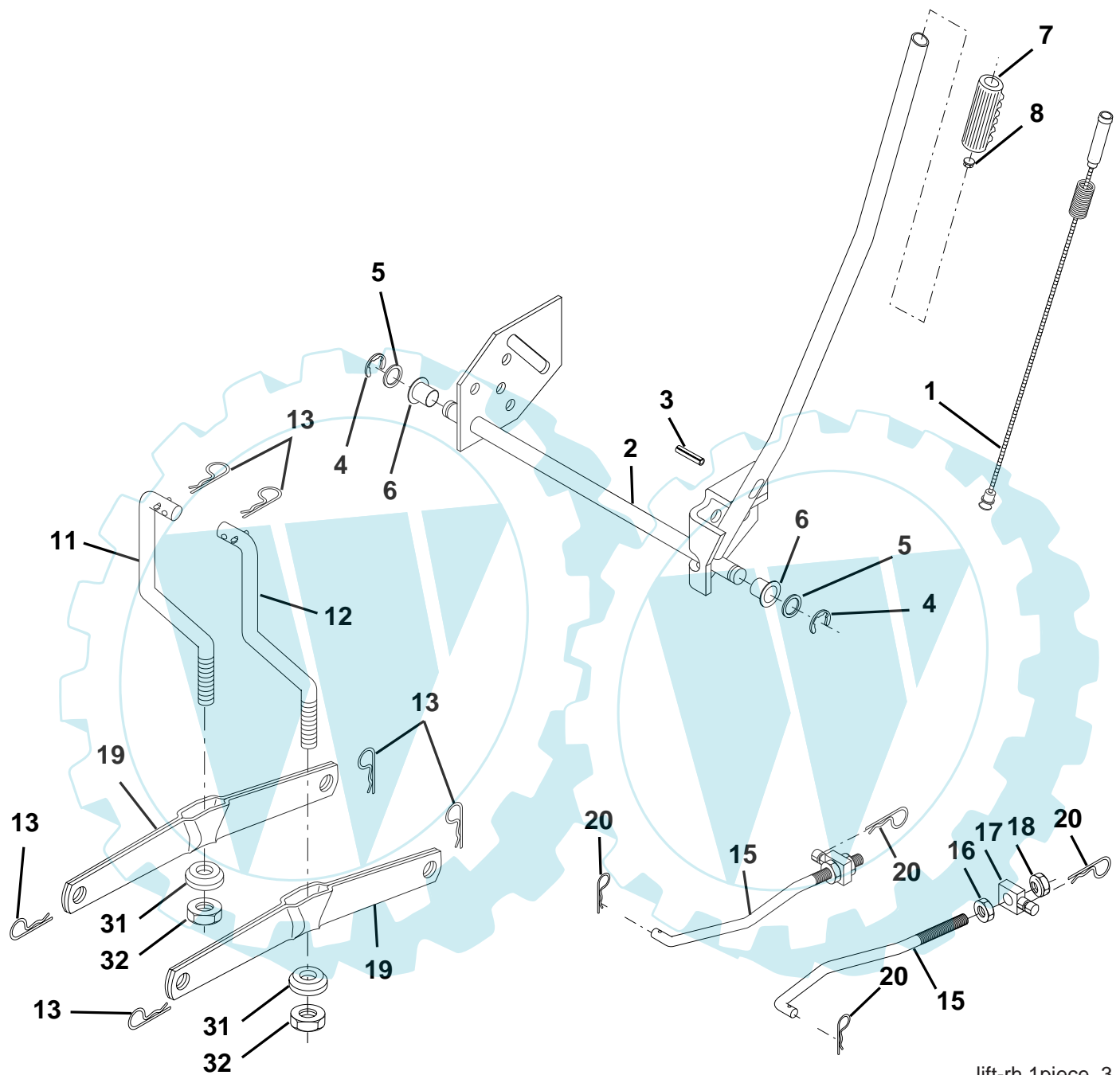
| KEY NO. | PART NO.   | DESCRIPTION                        |
|---------|------------|------------------------------------|
| 1       | 59192      | Cap, Tire valve                    |
| 2       | 65139      | Stem, Valve                        |
| 3       | 106222X    | Tire, Front                        |
| 4       | 59904      | Tube, Front (Service item only)    |
| 5       | 106732X624 | Rim assembly, 6" front             |
| 6       | 278H       | Fitting, Grease (Front wheel only) |
| 7       | 9040H      | Bearing, Flange (Front wheel only) |
| 8       | 106108X624 | Rim assembly, 8" rear              |
| 9       | 106268X    | Tire, Rear                         |
| 10      | 7152J      | Tube, Rear (Service item only)     |
| 11      | 104757X428 | Cap, Hub Axle                      |
| --      | 144334     | Sealant, Tire (10 oz. Tube)        |

**NOTE:** All component dimensions given in U.S. inches  
1 inch = 25.4 mm

# REPAIR PARTS

## TRACTOR -- MODEL NUMBER PO1192A

### MOWER LIFT



lift-rh.1piece\_3

| KEY NO. | PART NO. | DESCRIPTION                   |
|---------|----------|-------------------------------|
| 1       | 159461   | Wire Asm Inner/Sprg w/plunger |
| 2       | 159476   | Shaft Asm Lift RH             |
| 3       | 178981   | Pin Groove 1 500 Zinc         |
| 4       | 12000002 | E Ring #5133-62               |
| 5       | 19211621 | Washer 21/32 x 1 x 21 Ga.     |
| 6       | 120183X  | Bearing Nylon Blk 629 Id      |
| 7       | 109413X  | Grip Handle Bicycle Matte Blk |
| 8       | 124526X  | Button Plunger Black          |
| 11      | 139865   | Link Lift LH Fixed Length     |
| 12      | 139866   | Link Lift RH Fixed Length     |
| 13      | 4939M    | Retainer Spring               |

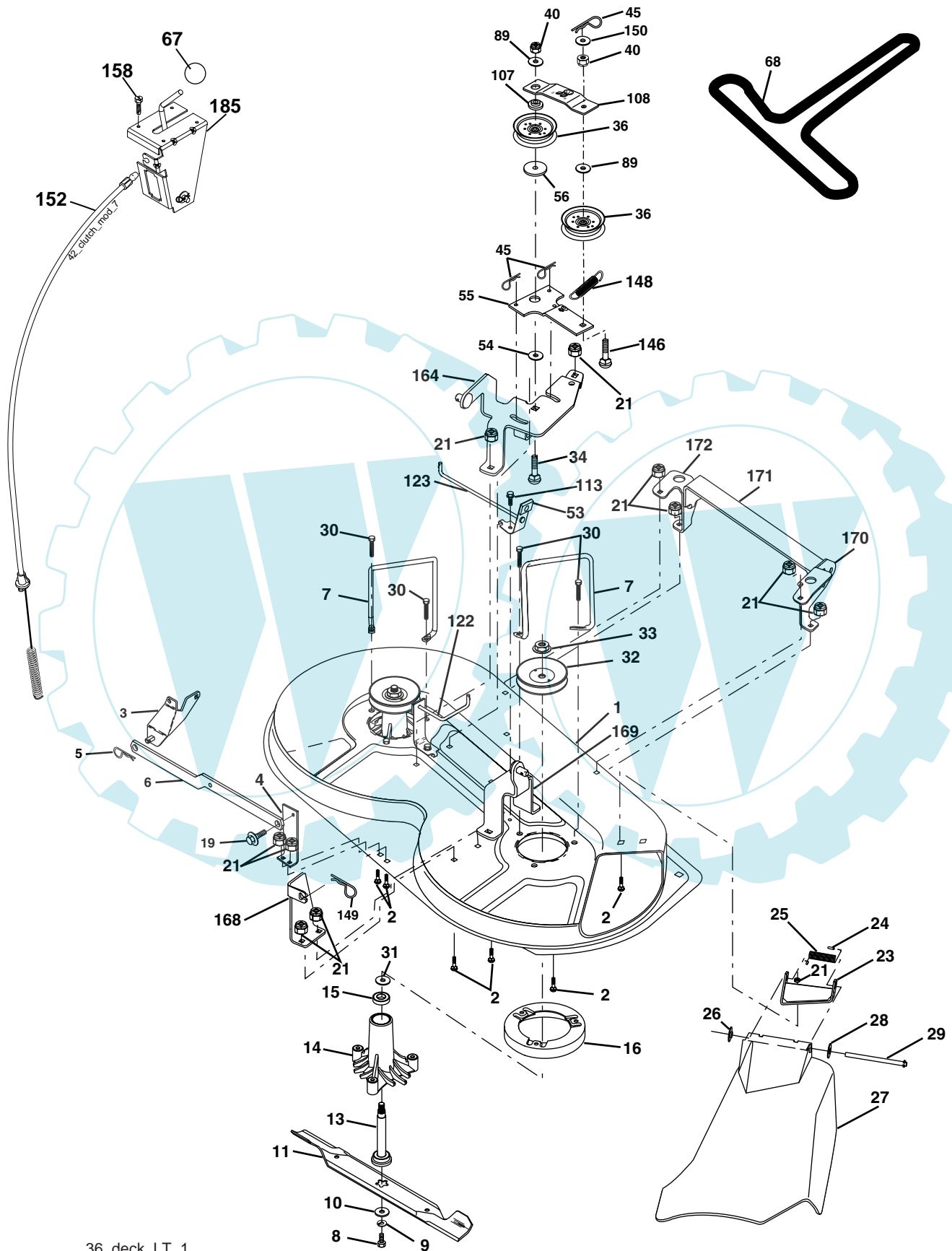
| KEY NO. | PART NO. | DESCRIPTION              |
|---------|----------|--------------------------|
| 15      | 173288   | Link Front               |
| 16      | 73350800 | Nut Jam Hex 1/2-13 unc   |
| 17      | 175689   | Trunnion                 |
| 18      | 73800800 | Nut Lockw/Wsh 1/2-13 unc |
| 19      | 139868   | Arm Suspension Rear      |
| 20      | 163552   | Retainer, Spring         |
| 31      | 169865   | Bearing Pvt Lift         |
| 32      | 73540600 | Nut Crownlock 3/8-24     |

**NOTE:** All component dimensions given in U.S. inches  
1 inch = 25.4 mm.

# REPAIR PARTS

## TRACTOR - - MODEL NUMBER PO1192A

### MOWER DECK



36\_deck\_LT\_1

# REPAIR PARTS

## TRACTOR - - MODEL NUMBER PO1192A

### MOWER DECK

| KEY NO. | PART NO.   | DESCRIPTION                     | KEY NO. | PART NO. | DESCRIPTION  |
|---------|------------|---------------------------------|---------|----------|--|
| 1       | 174595     | Mower Housing Assembly          | 53      | 130840   | Brake Assembly   |
| 2       | 140506     | Bolt                            | 54      | 178515   | Washer, Hardened   |
| 3       | 138017     | Bracket Assembly, Sway Bar      | 55      | 133840   | Idler Arm Assembly   |
| 4       | 175654     | Bracket Sway Bar                | 56      | 165723   | Spacer, Retainer   |
| 5       | 4939M      | Retainer Spring                 | 67      | 106932X  | Knob Rd 3/8-16 Plstc Thd   |
| 6       | 178024     | Bar Sway Deck                   | 68      | 180213   | Belt   |
| 7       | 140608     | Keeper Belt                     | 89      | 19131311 | Washer 13/32 x 13/16 x 1 Ga.   |
| 8       | 850857     | Bolt, Hex 3/8-24 x 1.25 Gr. 8   | 107     | 133502   | Spacer, Retainer   |
| 9       | 10030600   | Washer, Lock Hvy Hlcl 3/8       | 108     | 133503   | Stiffener, Idler Arm   |
| 10      | 140296     | Washer, Hardened                | 113     | 17490508 | Screw Thdrol 5/16-18 x 1/2   |
| 11      | 138496     | Blade, Mower                    | 122     | 174505   | Rod, Brake LH  |
| 13      | 137645     | Shaft Assembly, Mandrel, Vented | 123     | 174504   | Rod, Brake RH  |
| 14      | 128774     | Housing, Mandrel, Vented        | 146     | 165891   | Bolt Carriage Idler  |
| 15      | 110485X    | Bearing, Ball, Mandrel          | 148     | 169022   | Spring Return Idler  |
| 16      | 174493     | Stripper, Mower Deck            | 149     | 165898   | Retainer Spring Yellow Zinc  |
| 19      | 132827     | Bolt, Shoulder                  | 150     | 19091210 | Washer 9/32 x 3/4 x 10 Ga.   |
| 21      | 73680500   | Nut Crownlock 5/16-18           | 152     | 176079   | Clutch Cable   |
| 23      | 136631     | Bracket, Mower Deflector        | 158     | 17720408 | Screw Hex Thd Cut 1/4-20 x 1/2   |
| 24      | 105304X    | Cap, Sleeve                     | 164     | 174976   | Bracket Asm Idler Support  |
| 25      | 123713X    | Spring, Torsion, Deflector      | 168     | 172377   | Bracket Deck Cable   |
| 26      | 110452X    | Nut, Push                       | 169     | 174977   | Bracket Asm Suspension   |
| 27      | 175029X428 | Shield, Deflector               | 170     | 172359   | Bracket Suspension RH  |
| 28      | 19111016   | Washer 11/32 x 5/8 x 16 Ga.     | 171     | 165237   | Brace Support Susp. Frt  |
| 29      | 121980X    | Rod, Hinge                      | 172     | 172355   | Bracket Suspension LF  |
| 30      | 173984     | Screw Thdrol.                   | 185     | 188234   | Head Asm Cable Clutch  |
| 31      | 187690     | Washer, Spacer                  | --      | 130794   | Mandrel Assembly (Includes Housing, Shaft and Shaft Hardware Only - Pulley Not Included) |
| 32      | 153531     | Pulley, Mandrel                 |         |          |  |
| 33      | 178342     | Nut, Toplock                    |         |          |  |
| 34      | 72110614   | Bolt Rdhd 3/8-16 x 1-3/4        | --      | 181376   | Replacement Mower, Complete  |
| 36      | 131494     | Pulley, Idler, Flat             |         |          |  |
| 40      | 73680600   | Nut, Crownlock 3/8-16           |         |          |  |
| 45      | 4497H      | Retainer, Spring                |         |          |  |

**NOTE:** All component dimensions given in U.S. inches  
1 inch = 25.4 mm